

# MAULE

AEROSPACE  
TECHNOLOGY, INC.

FAA: *C. Day*  
Date: DEC 08 1999

## **SERVICE LETTER NO. 63**

Page 1 of 4  
Date: 12/7/99

**SUBJECT:** Adjustable Front Bucket Seats.

**AIRPLANES AFFECTED:** All Maule Models with Bucket Seats.

**STATUS:** This Service Letter should be considered a caution of a potential safety problem. This inspection and possible field fix is designed to reduce the possibility of loss of control due to a possible front seat track disconnect from seat guides.

**BACKGROUND:** Maule has received one report that during a recent flight, the front seat slipped rearward completely out of guides. Pilot was able to move into the copilot seat and land safely. In this incidence, a necessary part was missing and required placement. However, a situation similar to this can occur if the seat is not properly reinstalled after removal.

**COMPLIANCE:** It is recommended that this Service Letter be complied with before further flight.

### **ACTION TO BE TAKEN AND MATERIAL REQUIRED:**

- 1) From the front and under both front seats, inspect front of seat tracks for installation of stop plates. (See Detail A)
- 2) From the rear and under both front seats, inspect rear of seat track (outboard side only) for stop bolt and nut. (See Detail A) (Only for seats without a battery mounted underneath.)
- 3) From the front and under the seat if a battery is mounted underneath, inspect outboard side of seat track for welded stop tab. (See Detail B)
- 4) Inspect for correct engagement of seat tracks in seat track guides, which are located on top of the fuselage "H" section. (See Detail A and B)
- 5) If Items (1), (2), (3) and (4) have been complied with, no further action is required.
- 6) If stop bolt and nut is missing, install new bolt and nut per Detail A).
- 7) If stop plates or stop tabs are missing, remove seat – reverse instructions for the following seat installations and make arrangements with Maule Air, Inc. to have the seat(s) repaired.

### **Seat installation without battery mounted underneath:**

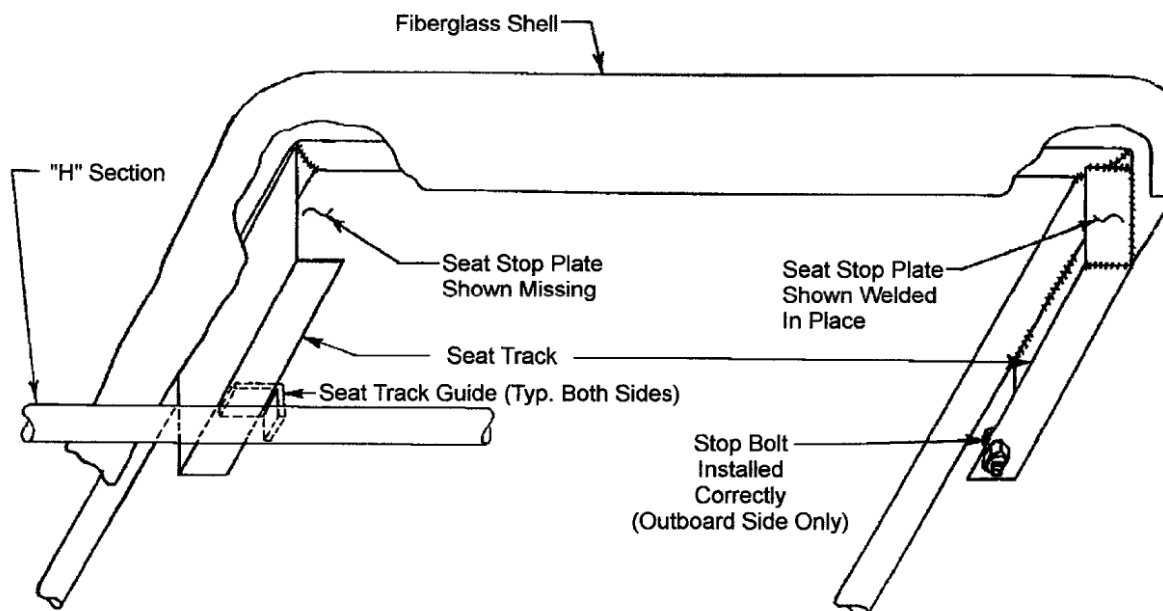
- 8) Place seat into approximate position in aircraft.
- 9) Attach return spring between welded washers. (One is located on the bottom inboard portion of the seat frame; the other is located near the flap handle at the fuselage H section.)
- 10) Engage outboard seat track of the seat underneath outboard seat track guide of the fuselage, located on the top outboard portion of the fuselage H section.

**ITS PERFORMANCE THAT COUNTS!**  
**2099 Georgia Hwy. 133 South~Moultrie, GA 31768**  
**Tel: 912-985-2045~Fax: 912-890-2402**

- 11) While holding the seat in the outboard track (full forward position against the stop bolt) twist the seat to align the inboard seat track to fit underneath the fuselage inboard seat track guide. Note: Pressure is required due to the return spring pulling forward.
- 12) Hold the seat in the guides and install the two rear attach bolts and inboard seatbelts located at the floorboard level to the seat swivel frame. Be sure to install new cotter pins.
- 13) After installation, lift on each forward corner of the seat to determine rigidity and verify complete engagement of the seat track guides both inboard and outboard.
- 14) Move the seat throughout its entire travel checking all detents and forward and aft stops.

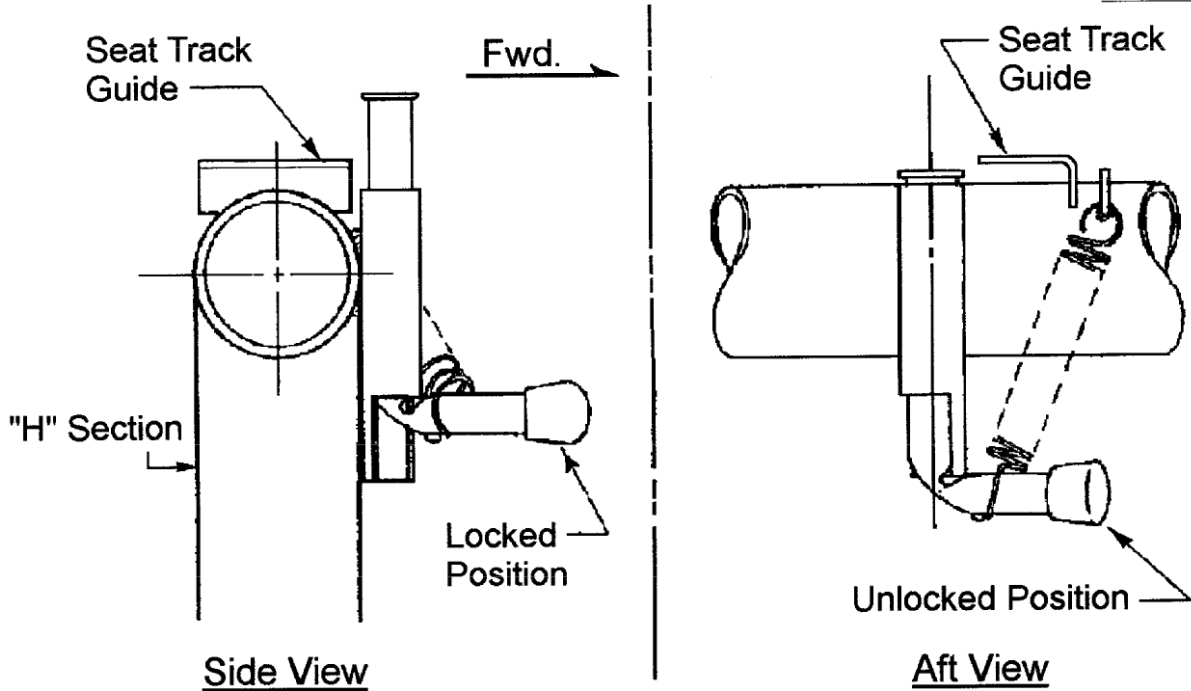
**Seat installation with battery mounted underneath:**

- 15) Place seat into approximate position in aircraft. **Caution:** Do not allow seat frame to contact battery terminals.
- 16) Install the two rear attach bolts and inboard seatbelts located at the floorboard level to the seat swivel frame. Be sure to install new cotter pins.
- 17) Push retractable stop pin down and turn to the unlocked position (located on the forward outboard portion of the fuselage H section.) See Detail B.
- 18) Push seat forward and then move back to engage seat tracks of the seat underneath left and right seat track guides of the fuselage (located on the top portion of the fuselage H section.)
- 19) After installation, lift on each forward corner of the seat to determine rigidity and verify complete engagement of the seat track guides both inboard and outboard.
- 20) Turn stop bolt to lock, stop bolt should move upward which will prevent seat from moving too far forward and disengaging from the seat track. See Detail B.
- 21) Move the seat throughout its entire travel checking all detents, and forward and aft stops.

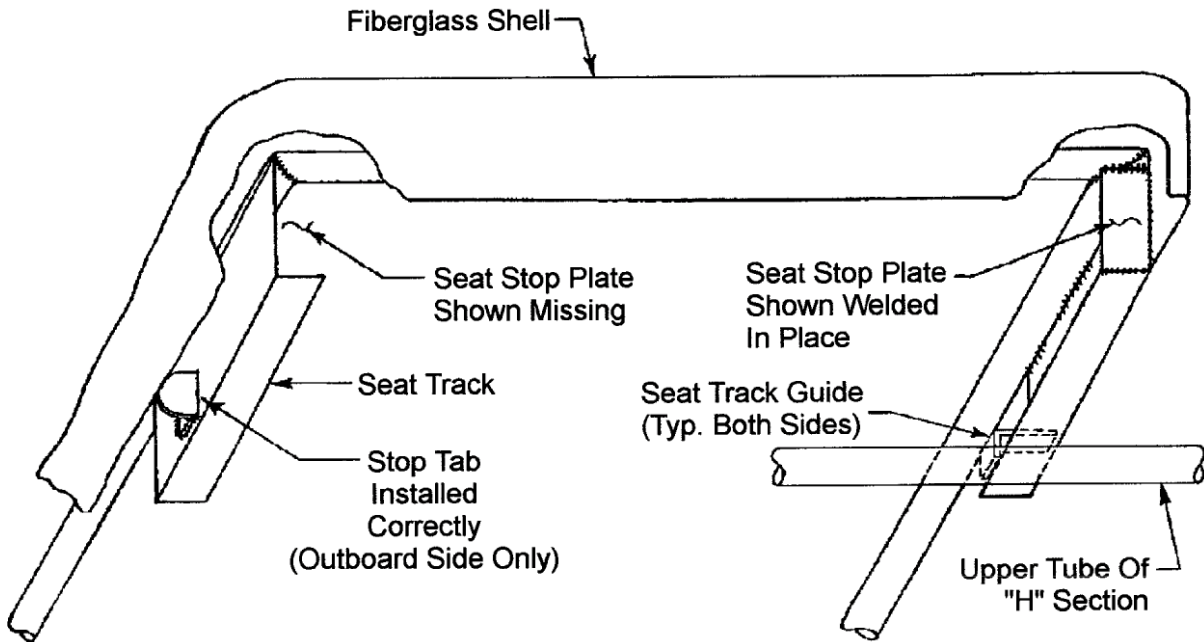


Front-Bottom View - Looking Up

Detail A



Retractable Stop Pin



Front-Bottom View - Looking Up

Detail B

Document in aircraft records.

Note: Page 4 is the Service Letter Compliance Record Sheet and is to be completed and returned to Maule engineering records.



**SERVICE LETTER NO. 63**

**COMPLIANCE RECORD SHEET**

Aircraft Model \_\_\_\_\_

Aircraft Serial No. \_\_\_\_\_

Action taken (PLEASE CHECK WHATEVER APPLIES):

- Inspection of Items (1), (2) (3), and (4) of Service Letter #63 was performed on both front seats and all were found correct. No further action was required.
- Installed stop bolt(s) and nut(s) ....Left Seat....Right Seat....Both....(Circle)
- Corrected seat track engagement....Left Seat....Right Seat....Both....(Circle)
- Removed Seat and returned to Maule Air, Inc. for the following:
  - Installation of stop plate(s) ....Left Seat....Right Seat....Both....(Circle)
  - Installation of stop tab....Left Seat....Right Seat....(Circle)
- Reinstalled Seat(s) after factory repairs

Owner's Name \_\_\_\_\_

Owner's Address \_\_\_\_\_

City \_\_\_\_\_ State \_\_\_\_\_ Zip \_\_\_\_\_

Certified by \_\_\_\_\_ Title \_\_\_\_\_  
Signature Owner, A & P. IA. Etc.

Date performed \_\_\_\_\_

If you no longer own this airplane, please fill in new owner's information and return to factory address below:

New Owner's Name \_\_\_\_\_

New Owner's Address \_\_\_\_\_

City \_\_\_\_\_ State \_\_\_\_\_ Zip \_\_\_\_\_

Please mail this Compliance Record to: Maule Air, Inc.~Engineering Records~2099 Georgia Highway 133 South~Moultrie, GA 31788 USA

**ITS PERFORMANCE THAT COUNTS!**  
**2099 Georgia Hwy. 133 South~Moultrie, GA 31768**  
**Tel: 912-985-2045~Fax: 912-890-2402**