

Service Letter No. 74

Date: 4/11/2019 Page 1 of 2

SUBJECT: Attach bolts for spring gear and tri-gear models

AIRPLANES AFFECTED: MXT-7-180, S/N 14000C-14137C, M-8-235, S/N 15001C-15005C, MXT-7-160, S/N 17001C-17008C, MT-7-235, S/N 18001C-18109C, MXT-7-180A, S/N 21001C-21097C, M-7-235C, S/N 25001C-25117C, MT-7-260, S/N 27001C-27015C, MX-7-180C, S/N 28001C-28028C, M-7-420AC, S/N 29001C-29007C, M-7-260C, S/N 30001C-30060C, MX-7-180AC, S/N 33001C-33010C, MX-7-160C, S/N 34001C, MT-7-420 S/ N 51001C, 51002C

STATUS: To provide longer high strength bolts as a preferred option for the outboard and inboard attachment bolts for spring gears and to add new tension nuts.

BACKGROUND: Service Letter 66 added high strength bolts but required the installation of shear nuts instead of tension nuts. This SL# 74 supersedes SL# 66 and adds new tension nuts that require longer bolts to accommodate their increased height and maintain minimum thread engagement requirements. Additionally, the torque values listed in the maintenance manuals were not updated for the high strength bolts and nuts. This difference between Service Letter #74 could cause some confusion at inspection intervals when referencing the maintenance manuals inspection of the gear attach hardware. An updated copy of each affected model's maintenance manual is available for download at www.mauleairinc.com under the support section.

ACTION TO BE TAKEN AND MATERIAL REQUIRED:

1) Install the following per **Detail -1:**

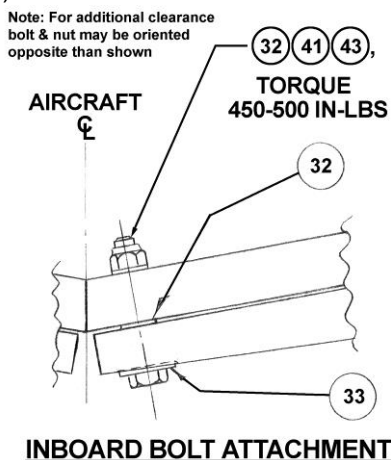
- | | | | |
|------|-------|------------|--------------------------|
| (32) | 2 ea. | MS20002-7 | Washer - Flat |
| (41) | 2 ea. | NAS6607-30 | Bolt, High Strength |
| (43) | 2 ea. | 42FLW720 | Nut, High Strength |
| (33) | 2 ea. | 4115B-1 | Washer/Bearing(existing) |

Note: Apply LPS 3 (Rust inhibitor, Heavy Duty) liberally during assembly of inboard bolt attachment – to bolt holes and washer surfaces – to bolts, nuts and washers – also applies to outboard attachment and axle assembly attachment.

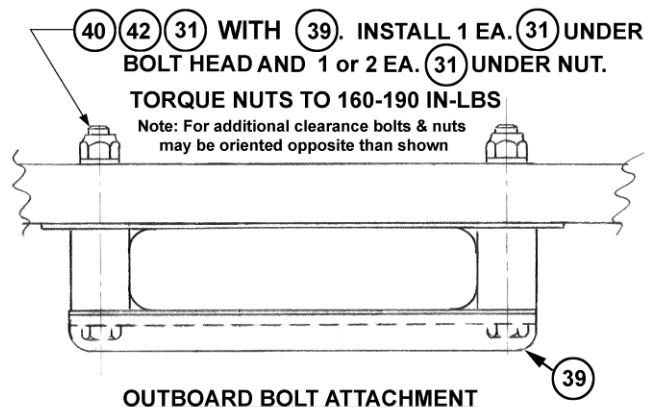
2) Install the following per **Detail -2:**

- | | | | |
|------|-------|------------|---|
| (39) | 2 ea. | 4139B-1 | Main L.G. Attach Strap, Upgross |
| (40) | 4 ea. | NAS6606-46 | Bolt, High Strength |
| (40) | 4 ea. | NAS6606-44 | Bolt, High Strength (non Upgross Gear only) |
| (42) | 4 ea. | 42FLW624 | Nut, High Strength |
| (31) | 8 ea. | MS20002-6 | Washer |

Note: The maximum combined height of washers that should be used is 1/8 inch and should have at least one thread of the bolt protruding through the nut.



Detail -1



Detail -2

Note compliance with this service letter in aircraft logbook, fill out Compliance Record Sheet (Page 2) and return to Maule Engineering Records.



SERVICE LETTER NO. 74
COMPLIANCE RECORD SHEET

Aircraft Model _____

Aircraft Serial No. _____

Action taken (Please Check if Applies):

() **Service Letter #74 completed.**

Owner's Name _____

Owner's Address _____

City _____ State _____ Zip _____

Certified by _____ Title _____
Signature Owner, A & P. IA. Etc.

Date performed _____

If you no longer own this airplane, please fill in new owner's information and return to factory address below:

New Owner's Name _____

New Owner's Address _____

City _____ State _____ Zip _____

Please mail this Compliance Record to: Maule Air, Inc.~ Engineering Records
~ 2099 Georgia Highway 133 South ~ Moultrie, GA 31788, FAX: (229) 890-2402 or email
to owneralert@mauleairinc.com